

These are double block and bleed ball valves specifically design for chemical injection and drain line isolation of high pressure systems. They are panel mountable and require only a simple quarter turn to operate. They are available with up to 20,000 psig MAWP. They come standard with 316SS construction and are available in Super Duplex 2507.

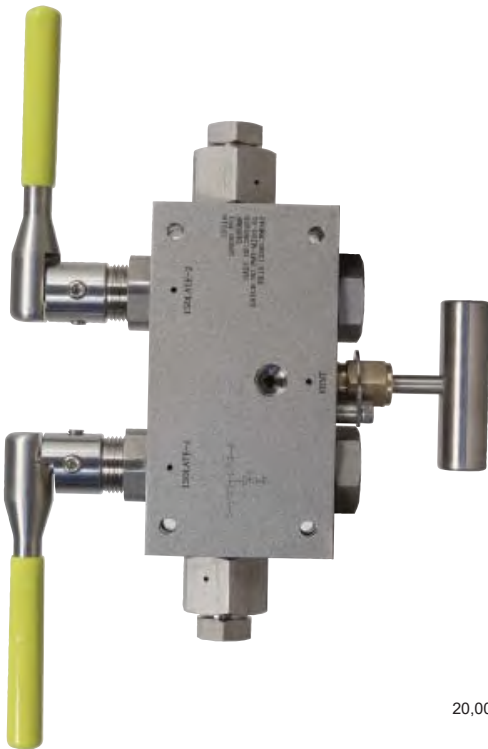
MP DOUBLE BLOCK & BLEED FEATURES:

- 316 SS construction is standard
Super Duplex 2507 & others available
- PEEK-carbon filled seats
- Full port construction
- FKM o-rings are standard; others available
- Single piece trunnion mounted stem
- Packing glands may be torqued
- Metal seated vent valve
- Robust stem handles

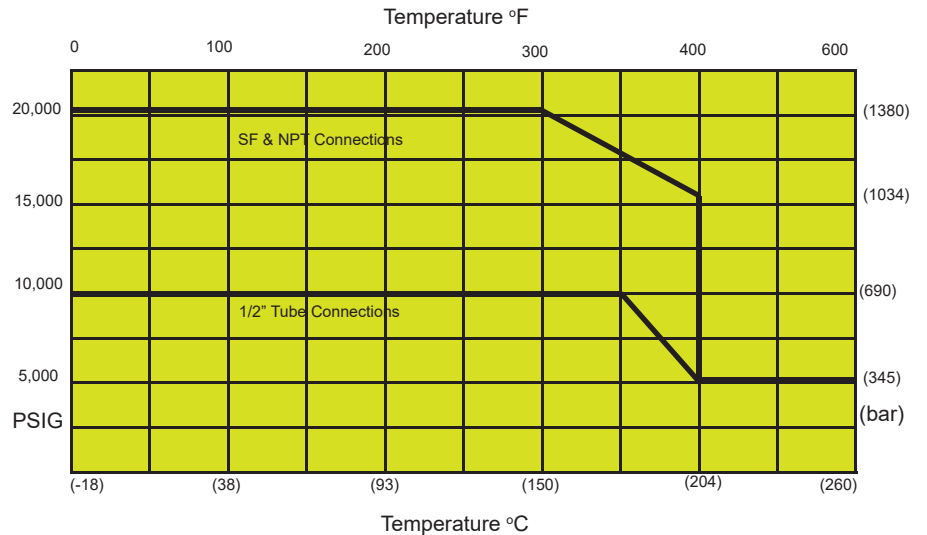
General Performance Specifications:

End Connection	MAWP @ 70°F psig (bar)	Orifice in(mm)
1/2" Tube	10,000 (690)	0.328 (8.33)
SF3750CX20	20,000 (1380)	0.203 (5.16)
SF5620CX20	20,000 (1380)	0.312 (7.92)
SF7500CX20	20,000 (1380)	0.328 (8.33)
SF1000CX20	20,000 (1380)	0.416 (10.57)
1/4" FNPT	20,000 (1380)	0.328 (8.33)
3/8" FNPT	20,000 (1380)	0.328 (8.33)
1/2" FNPT	20,000 (1380)	0.328 (8.33)
Cv = 2.3		

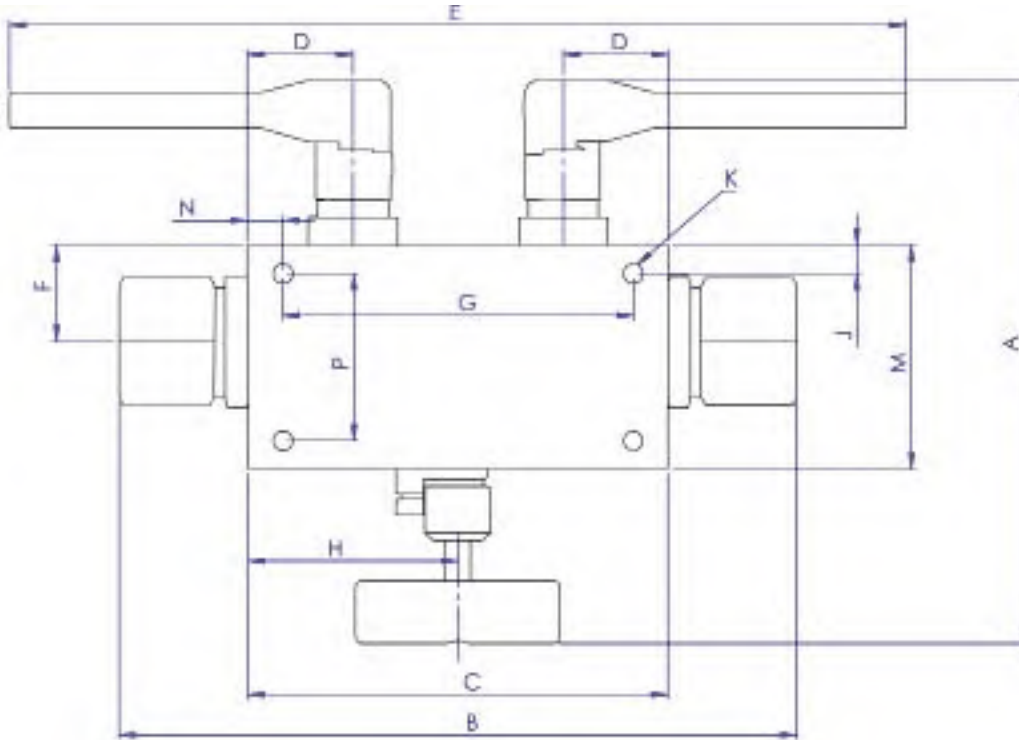
Maximum Working Pressure@ 70°F



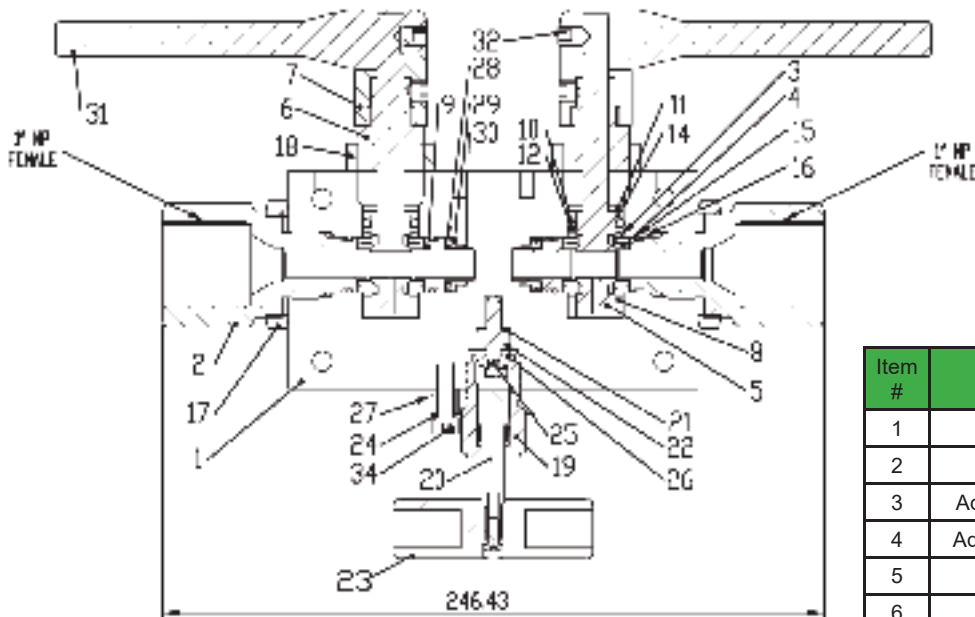
Temperature Constraints



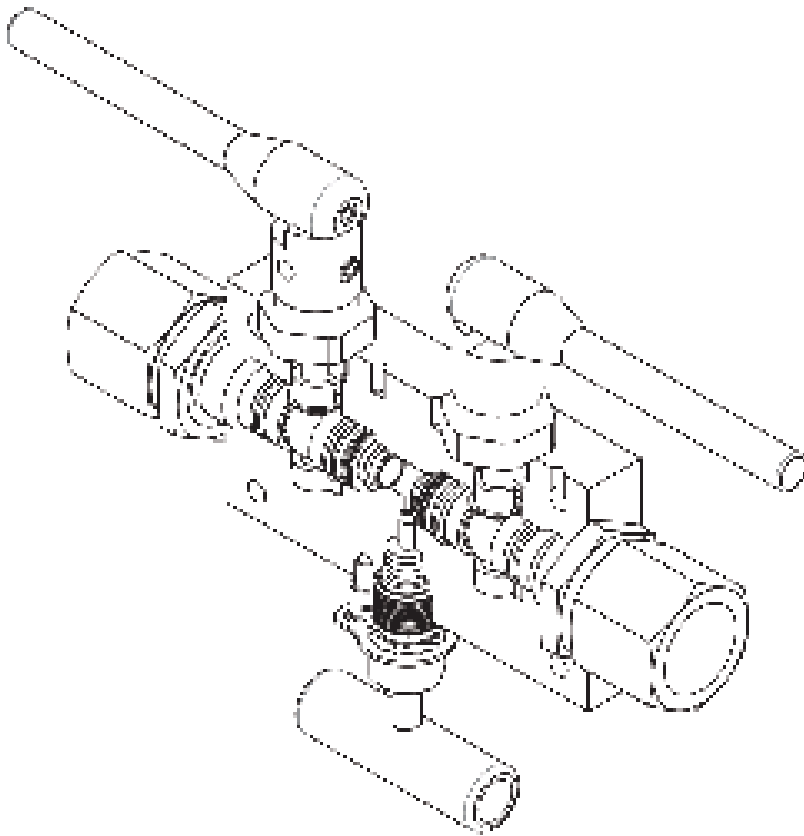
Basic Dimensions



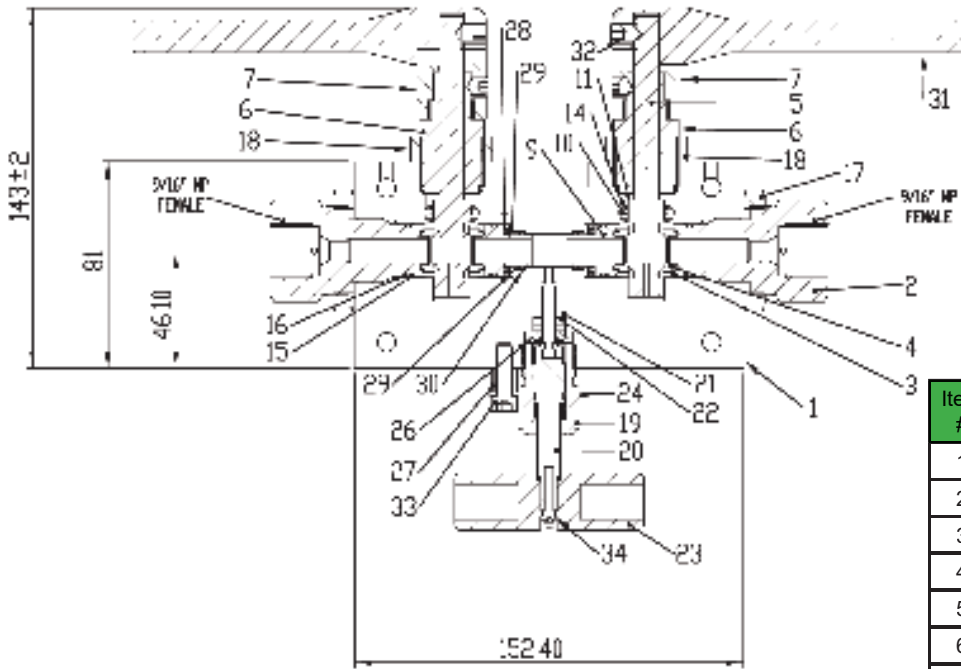
Model TDBB Valve Dimension in (mm)	
A	7.17 (181.4)
B	8.81 (223.8) 1" size- 9.7(246.4)
C	6.00 (152.4)
D	1.5 (38.1)
E	12.94 (32.87)
F	1.38 (34.9)
G	5.00 (127.0)
H	3.00 (76.2)
J	0.41 (10.3)
K	0.28 (7.14)
L	3.19 (81.0)
M	2.38 (60.4)
N	0.50 (12.7)
Body Width	1.75 (44.5)
Aprox Wt.	10.5 lb (23.1kg)



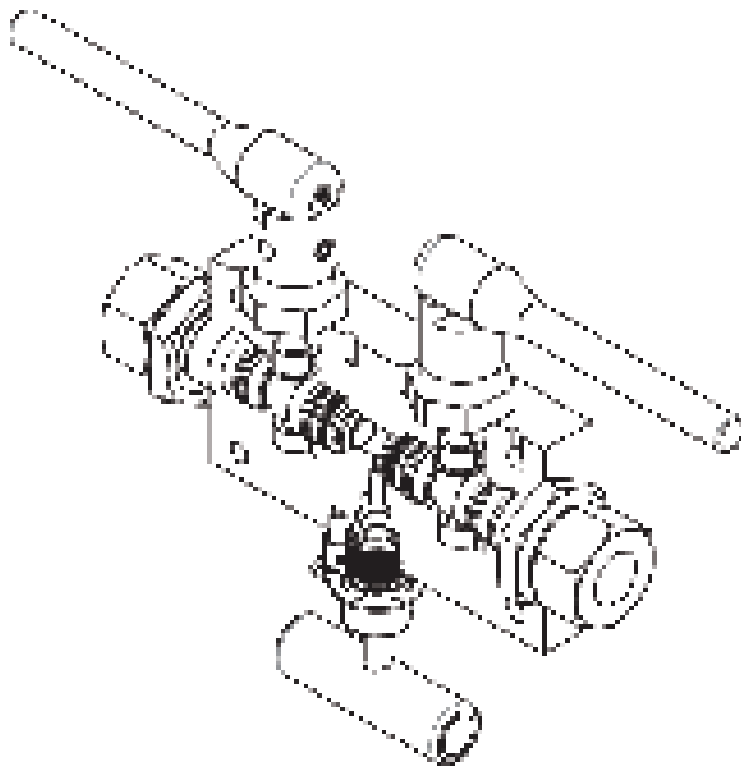
Model TDBB-16-20
 1.0" MP Connection - 20,000 psig



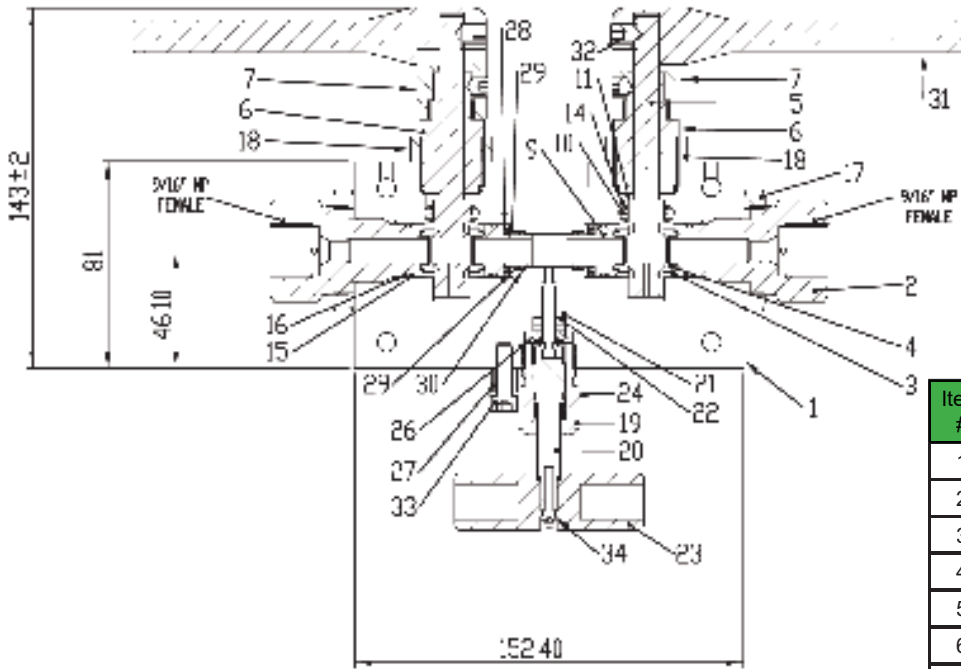
Item #	Part	Material	Qty
1	Body	316SS	1
2	Adaptor	316SS	2
3	Adaptor Collar	316SS	4
4	Adj Collar Seat	PEEK	4
5	Ball Stem	Duplex 2205	2
6	Bonnet	316SS	2
7	Bonnet Head	316SS	2
8	Stem Seat	PEEK	2
9	Adj Seat Gland	316SS	2
10	Gland O-ring	FKM	2
11	Gland Washer	316SS	2
12	Gland Packing	PEEK	2
13	Gland Packing	PTFE	2
14	Gland Packing	PEEK	2
15	O-ring	FKM	8
16	Adj Seat Retainer	PTFE	8
17	Adaptor Nut	316SS	2
18	Bonnet Nut	316SS	2
19	NV-Bonnet	AL-Bronze	1
20	Spindle	316SS	1
21	Riser	316SS	1
22	Packing Washer	316SS	2
23	NV - Handle	316SS	1
24	NV-Lock	Steel	1
25	NV- Stem	17-4PH	1
26	Packing Ring	PTFE	1
27	NV-Spacer	316SS	1
28	Spring Washer	Steel	4
29	Spring Retainer	316SS	2
30	O-Ring	FKM	2
31	Handle	V	2
32	Screw	Steel	4
33	Screw	Steel	1
34	Screw	Steel	1



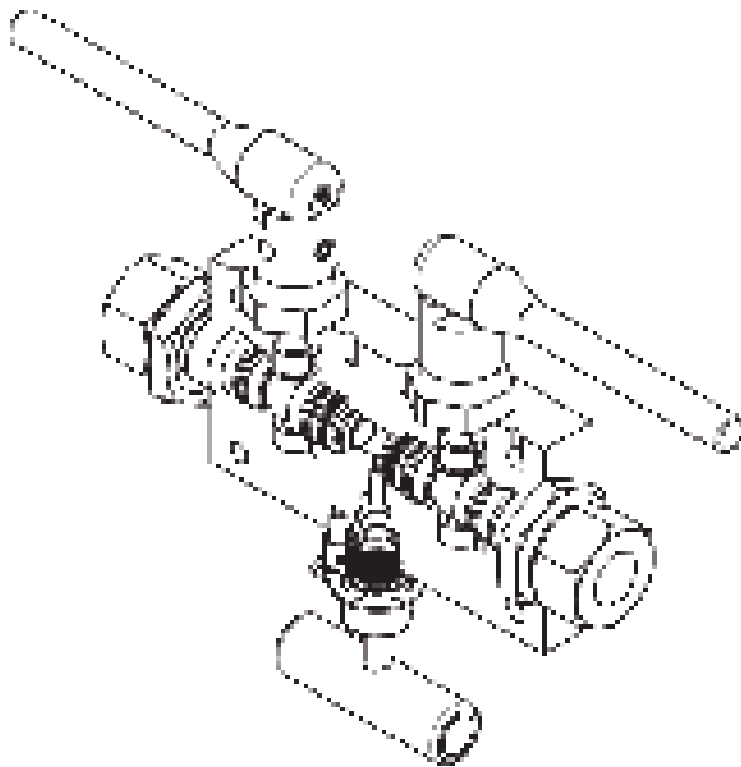
Model TDBB-09-20
 9/16" & 3/4" MP Connection - 20,000 psig



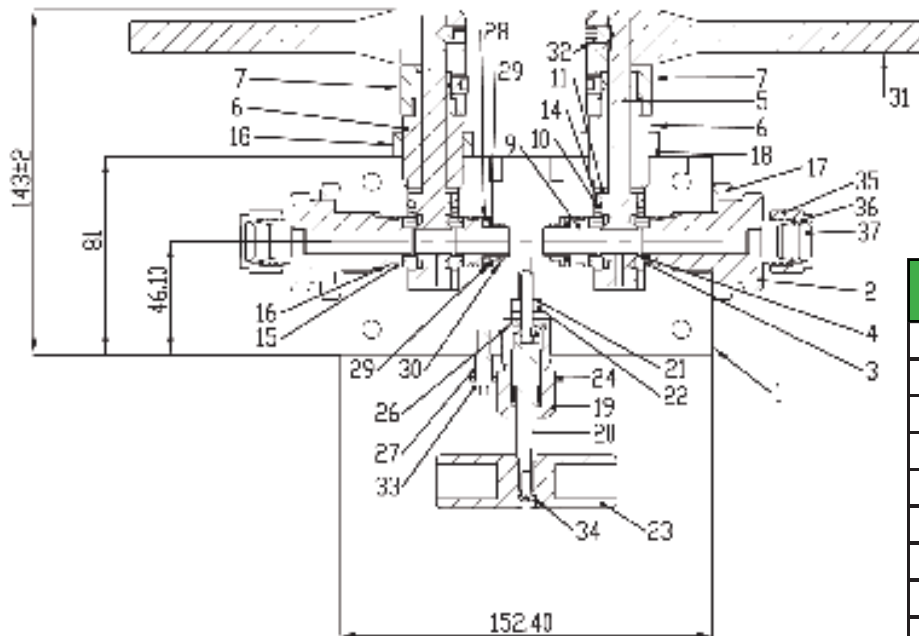
Item #	Part	Material	Qty
1	Body	316SS	1
2	Adaptor	316SS	2
3	Adaptor Collar	316SS	4
4	Adj Collar Seat	PEEK	4
5	Ball Stem	Duplex 2205	2
6	Bonnet	316SS	2
7	Bonnet Head	316SS	2
8	Stem Seat	PEEK	2
9	Adj Seat Gland	316SS	2
10	Gland O-ring	FKM	2
11	Gland Washer	316SS	2
12	Gland Packing	PEEK	2
13	Gland Packing	PTFE	2
14	Gland Packing	PEEK	2
15	O-ring	FKM	8
16	Adj Seat Retainer	PTFE	8
17	Adaptor Nut	316SS	2
18	Bonnet Nut	316SS	2
19	NV-Bonnet	AL-Bronze	1
20	Spindle	316SS	1
21	Riser	316SS	1
22	Packing Washer	316SS	2
23	NV - Handle	316SS	1
24	NV-Lock	Steel	1
25	NV- Stem	17-4PH	1
26	Packing Ring	PTFE	1
27	NV-Spacer	316SS	1
28	Spring Washer	Steel	4
29	Spring Retainer	316SS	2
30	O-Ring	FKM	2
31	Handle	V	2
32	Screw	Steel	4
33	Screw	Steel	1
34	Screw	Steel	1



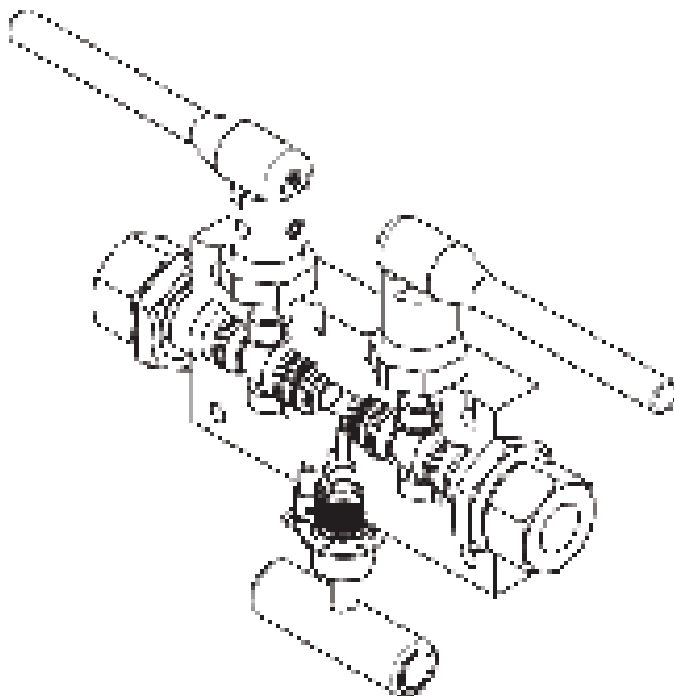
Model TDBB-06-20
 3/8" MP Connection - 20,000 psig



Item #	Part	Material	Qty
1	Body	316SS	1
2	Adaptor	316SS	2
3	Adaptor Collar	316SS	4
4	Adj Collar Seat	PEEK	4
5	Ball Stem	Duplex 2205	2
6	Bonnet	316SS	2
7	Bonnet Head	316SS	2
8	Stem Seat	PEEK	2
9	Adj Seat Gland	316SS	2
10	Gland O-ring	FKM	2
11	Gland Washer	316SS	2
12	Gland Packing	PEEK	2
13	Gland Packing	PTFE	2
14	Gland Packing	PEEK	2
15	O-ring	FKM	8
16	Adj Seat Retainer	PTFE	8
17	Adaptor Nut	316SS	2
18	Bonnet Nut	316SS	2
19	NV-Bonnet	AL-Bronze	1
20	Spindle	316SS	1
21	Riser	316SS	1
22	Packing Washer	316SS	2
23	NV - Handle	316SS	1
24	NV-Lock	Steel	1
25	NV- Stem	17-4PH	1
26	Packing Ring	PTFE	1
27	NV-Spacer	316SS	1
28	Spring Washer	Steel	4
29	Spring Retainer	316SS	2
30	O-Ring	FKM	2
31	Handle	V	2
32	Screw	Steel	4
33	Screw	Steel	1
34	Screw	Steel	1

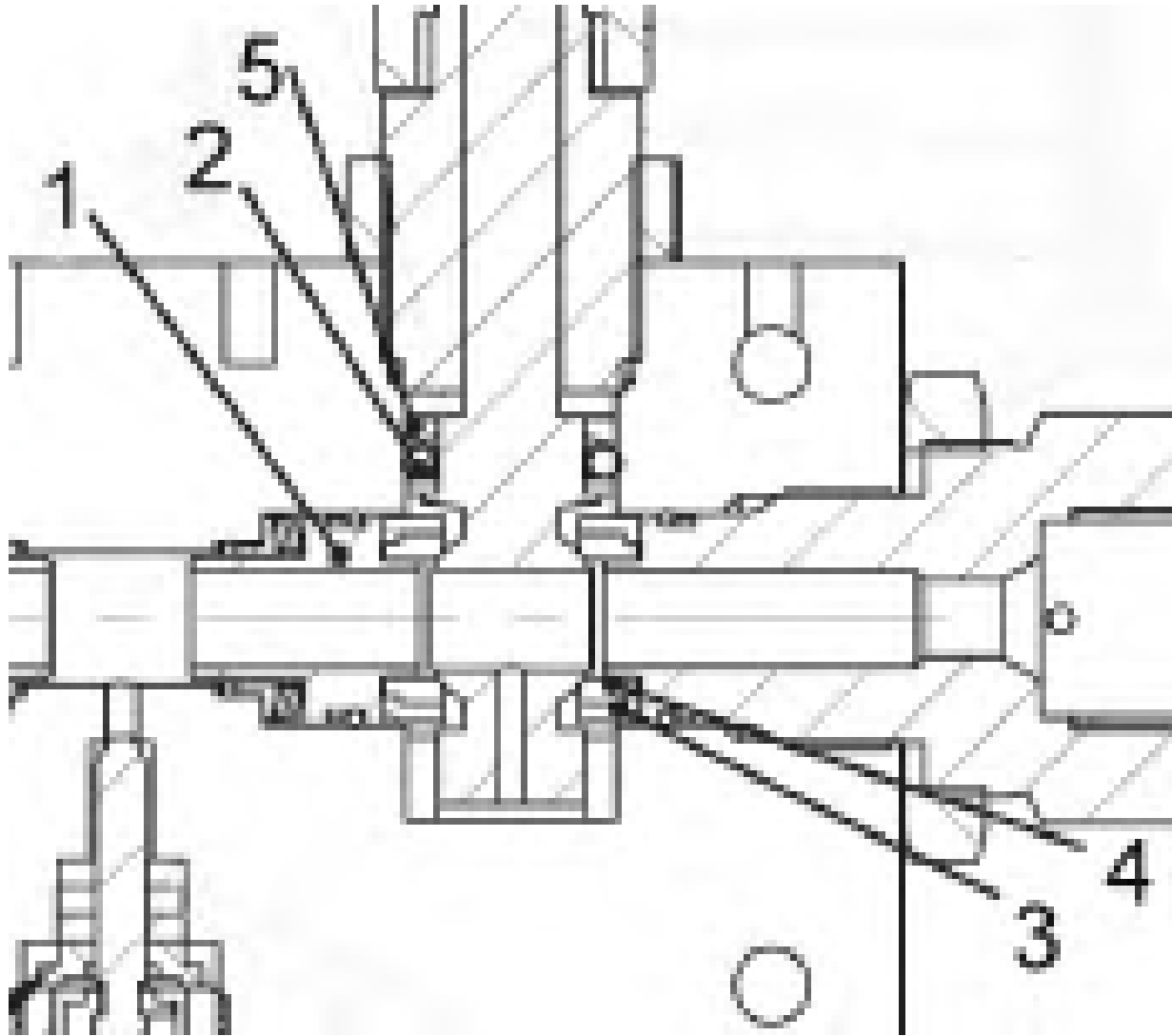


Model TDBB-08-10
 1/2" Tube Connection - 10,000 psig



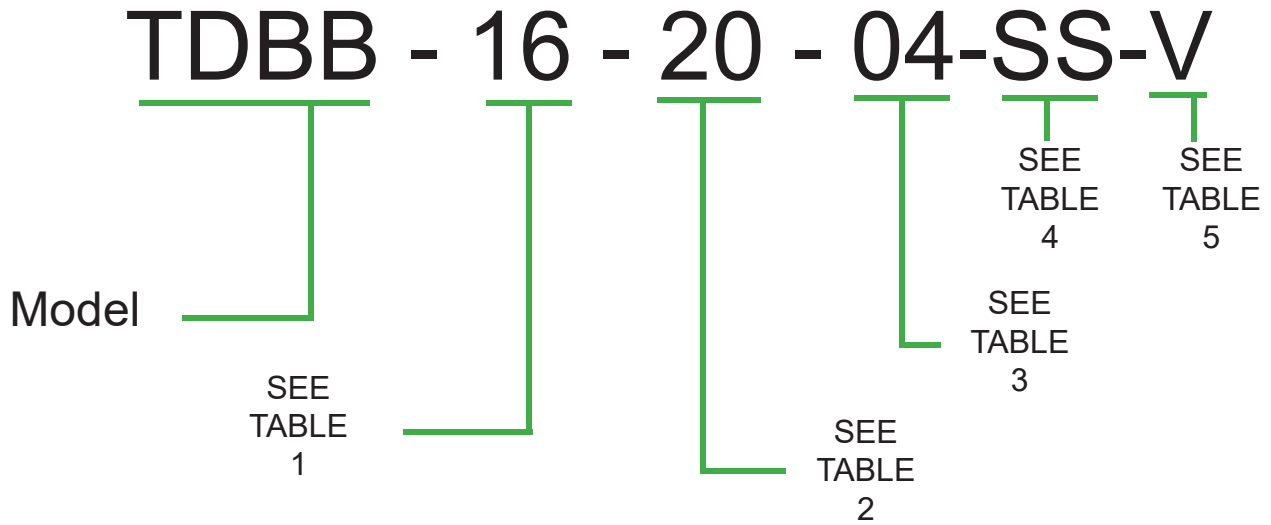
Item #	Part	Material	Qty
1	Body	316SS	1
2	Adaptor	316SS	2
3	Adaptor Collar	316SS	4
4	Adj Collar Seat	PEEK	4
5	Ball Stem	Duplex 2205	2
6	Bonnet	316SS	2
7	Bonnet Head	316SS	2
8	Stem Seat	PEEK	2
9	Adj Seat Gland	316SS	2
10	Gland O-ring	FKM	2
11	Gland Washer	316SS	2
12	Gland Packing	PEEK	2
13	Gland Packing	PTFE	2
14	Gland Packing	PEEK	2
15	O-ring	FKM	8
16	Adj Seat Retainer	PTFE	8
17	Adaptor Nut	316SS	2
18	Bonnet Nut	316SS	2
19	NV-Bonnet	AL-Bronze	1
20	Spindle	316SS	1
21	Riser	316SS	1
22	Packing Washer	316SS	2
23	NV - Handle	316SS	1
24	NV-Lock	Steel	1
25	NV- Stem	17-4PH	1
26	Packing Ring	PTFE	1
27	NV-Spacer	316SS	1
28	Spring Washer	Steel	4
29	Spring Retainer	316SS	2
30	O-Ring	FKM	2
31	Handle	V	2
32	Screw	Steel	4
33	Screw	Steel	1
34	Screw	Steel	1
35	Nut	316SS	2
36	Front Ferrule	316SS	2
37	Back Ferrule	316SS	2

DBB SEAL DETAILS



Item #	Part	Material
1	Adapter Seat Gland	316 SS
2	Gland O-ring	Viton
3	Adapter Collar	316 SS
4	Gland Packing	PEEK
5	Gland Washer	316 SS

Ordering Tree



End Connections

Table 1

Code	End Connection	MAWP @ 70°F psig (bar)
08	1/2" Tube	10,000 (690)
06	3/8"-SF3750CX20	20,000 (1380)
09	9/16"-SF5620CX20	20,000 (1380)
12	3/4"-SF7500CX20	20,000 (1380)
16	1"-SF1000CX20	20,000 (1380)
4P	1/4"FNPT	20,000 (1380)
6P	3/8" FNPT	20,000 (1380)
8P	1/2" FNPT	20,000 (1380)

Max Design Pressure

Table 2

Code	Pressure Range
10	10,000 psig
20	20,000 psig

Vent Connection

Table 3

Code	Vent Connections
04	SP250CX20
4P	1/4" NPT

Wetted Metal

Table 4

Code	Material
SS	316SS
SD	Super Duplex 2507

Soft Goods

Table 5

Code	Material
V	FKM
E	Ethylene-Propylene