

TVI

Texas Valve & Instruments, LLC



DOT 3E Cylinders & Accessories





Cylinder Dimensions

Part No.	Internal Volume (cc ± 5%)	Dimensions (inches)			NPT Thread P	Pressure Rating	Weight (lb)
		A	B	T			
SSC-1.8K-40-S	40	1.25	3.88	0.070	1/4"	1,800 psi	0.3
SSC-1.8K-50-S	50	1.50	3.75	0.093			0.4
SSC-1.8K-75-S	75	1.50	4.94	0.093			0.6
SSC-1.8K-150-S	150	1.98	5.25	0.093			0.9
SSC-1.8K-300-S	300	1.98	9.50	0.093			1.6
SSC-1.8K-400-S	400	1.98	13.25	0.093			2.1
SSC-1.8K-500-S	500	1.98	15.0	0.093			2.6
SSC-1.8K-1000-S	1000	4.00	10.9	0.206			6.5
SSC-1.8K-2250-S	2250	4.00	17.2	0.206			14.0
SSC-1.8K-3785-S	3785	4.00	26.7	0.206			21.0

Characteristics

- Internal neck formed for easy cleaning
- Heavy wall neck to prevent splitting and flaring

Features

- Body made of seamless stainless steel tubing
- Aircraft quality NPT threads
- Sizes range from 40 to 3785 cc
- Working pressures to 5,000 psig
- 316L stainless steel-standard
- Monel 400, Hastelloy C-276 available

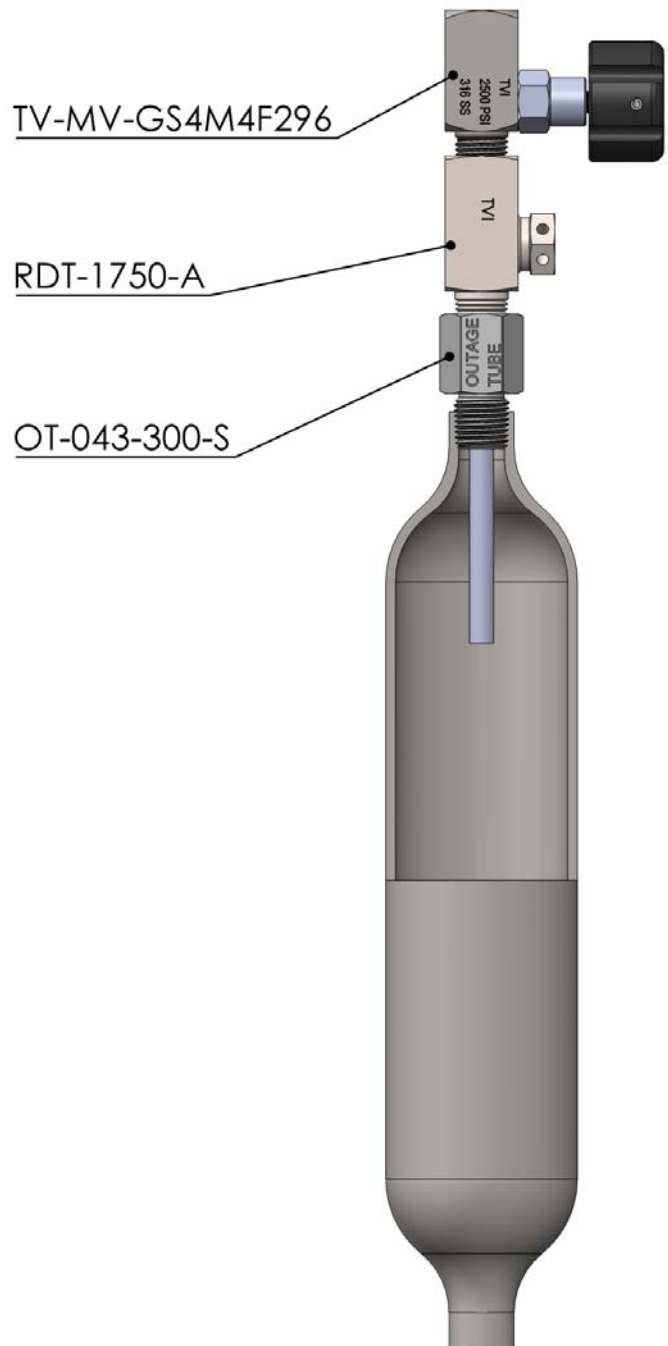
Specifications

- Manufactured to DOT requirements 49 CFR Part 178
- All DOT-3E cylinders are hydrostatically test to 5/3x working pressure. Certificates of testing data are available for a nominal fee.
- One cylinder of each lot or one of every 500 cylinders is burst tested, which ever is the smaller number.
- DOT-3E

Pressure & Temperature Ratings

Temperature (°F)	Working Pressure
-65 to 100	1800
200	1360
300	1230
400	1130
500	1050
600	1000
700	970
800	930

Cylinder Assembly
with Outage Tube,
Rupture Disc Assembly
and Sample Valves



Characteristics

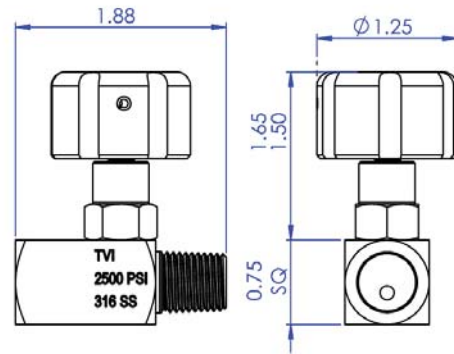
- The MV Series needle valve is designed expressly for Liquid & Gas Sampling.

Features

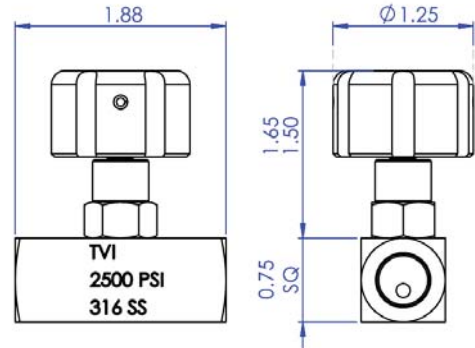
- Stem Packing:** The valve has alternating layers of Teflon rings and Viton O-rings. The results in a very low torque and easily adjustable packing that yields a long life without leaks.
- PCTFE Seat:** The PCTFE seat results excellent chemical compatibility and higher temperature specifications.
- Electro-Polishing:** The process areas of the valve are electro-polished. This makes the valve very clean and easy to steam out. It also makes the threads much smoother and less likely to gall.
- All metal parts are 316L. This allows the electro-polishing to fill in the microscopic cracks and crevices caused by machining the metal.
- Three 1/4" configurations:
MNPT x FNPT, MNPT x MNPT, FNPT x FNPT

Specifications

- Pressure Rating:
2,500 psig at 100°F
- Maximum Temperature for steam out - 300 F



1/4" MALE X FEMALE



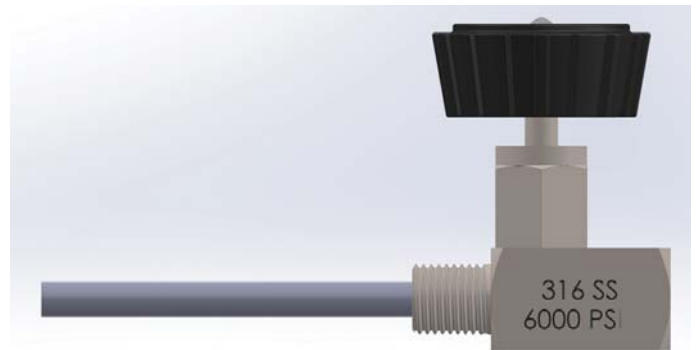
1/4" NPT FEMALE X FEMALE



Part Number	316 SS	C.S.	Configuration
TV-MV-GS4M4F296	X		1/4" Male x 1/4" Female
TV-MV-GS4F296	X		1/4" Female x 1/4" Female
TV-MV-GS4M296	X		1/4" Male x 1/4" Male

Gas Sampling Systems

Outage Tubes



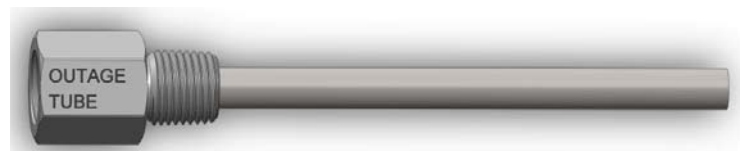
Mini Valve With Outage Tube

Part No. xxx= Outage Code	Minimum Outage (%)				
	10%	20%	30%	40%	50%
OTV-xxx-150-S	011	015	018	021	025
OTV-xxx-300-S	017	023	030	037	043
OTV-xxx-500-S	027	034	045	056	067
OTV-xxx-1000-S	029	046	060	075	091



Rupture Disc Assy With Outage Tube

Part No. xxx= Outage Code	Minimum Outage (%)				
	10%	20%	30%	40%	50%
OTRD-xxx-150-S	011	015	018	021	025
OTRD-xxx-300-S	017	023	030	037	043
OTRD-xxx-500-S	027	034	045	056	067
OTRD-xxx-1000-S	029	046	060	075	091



Outage Tubes For TVI Cylinders

Part No. xxx= Outage Code	Minimum Outage (%)				
	10%	20%	30%	40%	50%
OT-xxx-150-S	011	015	018	021	025
OT-xxx-300-S	017	023	030	037	043
OT-xxx-500-S	027	034	045	056	067
OT-xxx-1000-S	029	046	060	075	091

Characteristics

- Compact Construction
- Designed to be mounted in line between a cylinder and a mini valve

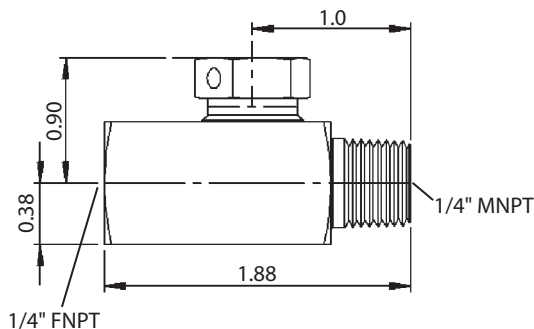
Features

- Body Material: 316L
- Retainer Material: 316L
- Designed for a Metal to Metal Seal
- Rupture Disc Material: Alloy 600

Dimensions:

Rupture Disc Assembly

Part No. RDT-1750-A



Burst Disc Configurations*



RD-1750-44-A600

RD-1750-56-A600

Part No.	Burst Pressure	Diameter
RD-1750-44-A600	1800 psi	0.44
RD-1750-56-A600	1800 psi	0.56
RD-2950-44-A600	3000 psi	0.44
RD-2950-56-A600	3000 psi	0.56



NOTES:

- Do not use a rupture disc in a location where the sudden release of the material would pose a hazard.
- The burst pressure is identified by a color coded dot on the top of the disc retainer. Do not substitute any other burst disc. A DeTec disc must be used.
- Make certain there is an isolation valve between the system being sampled and the rupture disc assembly. This is necessary so the system can be closed if the disc bursts.
- Expansion of liquified gases due to small temperature changes may cause a rupture disc to release the cylinder contents. Appropriate regulations and guidelines should be followed to

* FLAT RETAINER RING IS STANDARD

FITS MOST RUPTURE DISC HOLDER OF THE SAME DIAMETER

Can be used with a Teflon Gasket

Characteristics

- Compact Construction
- Incorporated the cylinder valve and rupture disc in a single housing
- Designed to retrofit to most rupture disc bodies
- Features
- Body Material: 316L
- Retainer Material: 316L
- Seat: PCTFE
- Spring : S.S.
- Burst Pressure: 1,800 psi
- 1/4" FNPT Outlet

Inline Mounting



Part Numbers:

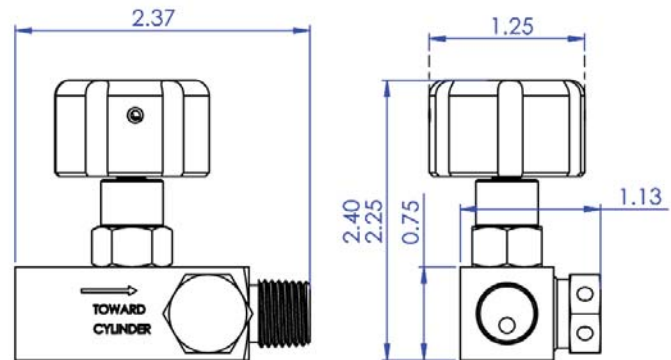
DVM-1750-A-MXF
1/4" FNPT Male x Female

NOTES:

- Do not use a rupture disc in a location where the sudden release of the material would pose a hazard.
- The burst pressure is identified by a color coated dot on the top of the disc retainer. Do not substitute any other burst disc. A DeTec -TVI disc must be used.
- Make certain there is an isolation valve between the system being sampled and the rupture disc assembly. This is necessary so the system can be closed if the disc bursts.
- Expansion of liquified gases due to small temperature changes may cause a rupture disc to release the cylinder contents. Appropriate regulations and guidelines should be followed to establish safe filling limits.



DVM-1750-A-M
1/4" NPT Male x Male

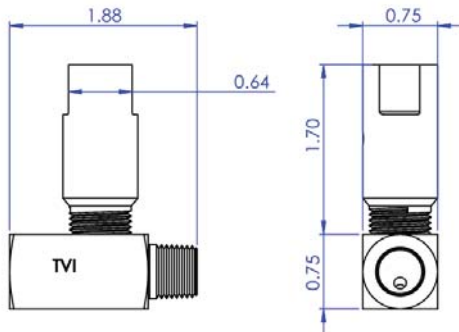


Gas Sampling Systems

DOT 3E Cylinder - Relief Valves

Characteristics

- Compact Construction
- Designed to be mounted in line between a cylinder and a mini valve
- Designed to retrofit to most rupture disc bodies
- Features
- Body Material: 316L
- Retainer Material: 316L
- Seat: PCTFE
- Spring: S.S.
- Set Point: Adjustable - 1500 psi to 2500 psi
- 1/4" FNPT Outlet



NOTES:

- Do not use a relief valve in a location where the sudden release of the material would pose a hazard.
- Make certain there is an isolation valve between the system being sampled and the relief valve assembly. This is necessary so the system can be closed if the disc bursts.
- Expansion of liquified gases due to small temperature changes may cause a rupture disc to release the cylinder contents. Appropriate regulations and guidelines should be followed to establish safe filling limits.

Texas Valve & Instrument, LLC
 PO Box 263660
 Houston, TX 77207

Inline Mounting

Part Numbers:

- RVA-1750-A-MXF
 1/4" FNPT Male x Female
- RVA-1750-A-M
 1/4" NPT Male x Male
- RVA-1750-A-F
 1/4" NPT Female x Female



Part Numbers:

- RVM-1750-A-MXF
 1/4" FNPT Male x Female
- RVM-1750-A-M
 1/4" NPT Male x Male
- RVM-1750-A-F
 1/4" NPT Female x Female



Part No. RV-1750-A
 5/8"-18 UNF-2A

Connection
 Fits Most Holders

T 713.645.2100
 F 713.645.2102
 E sales@tvi-i.com
 website www.tvi-i.com